
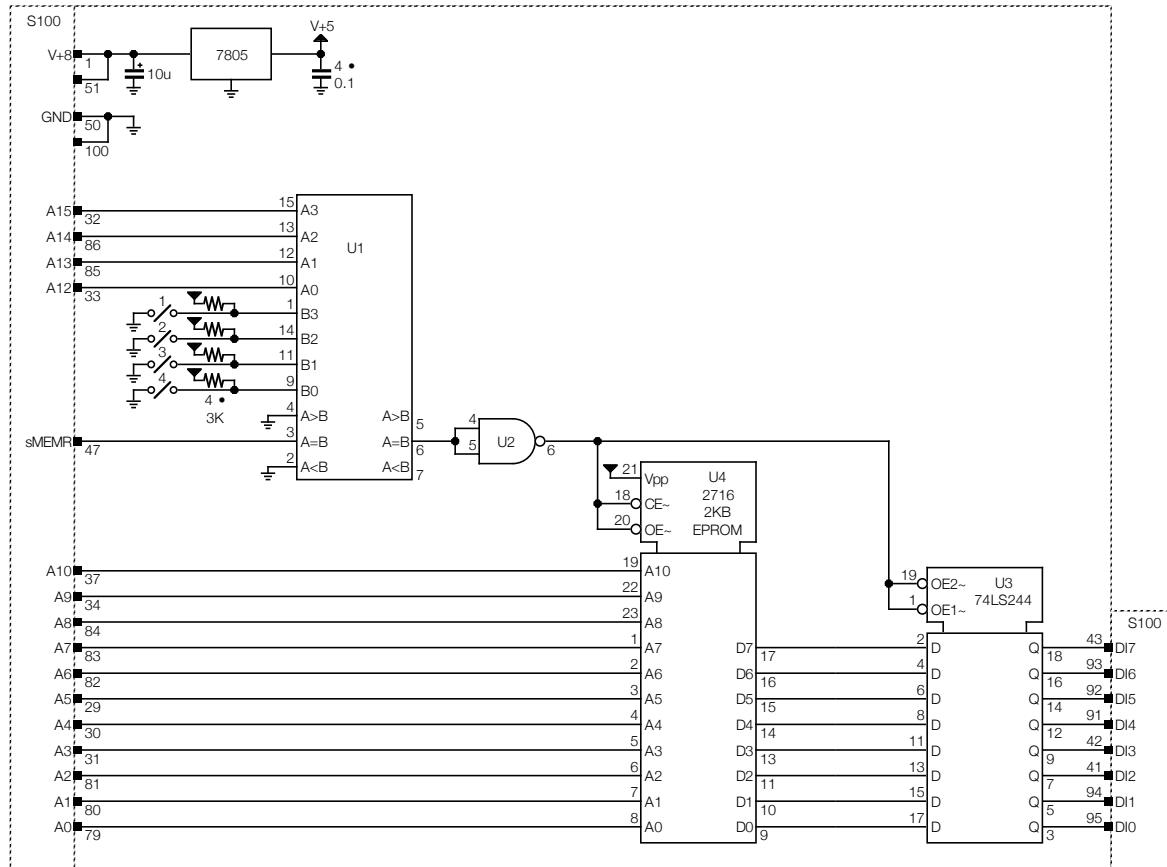


Simple S100 PROM Board Schematic

NOTES

- The symbol  represents a connector pin. The solid black end is the male side, the white-filled end is the female side.
- 2023 Jan: Initial drawing / bhlpert.

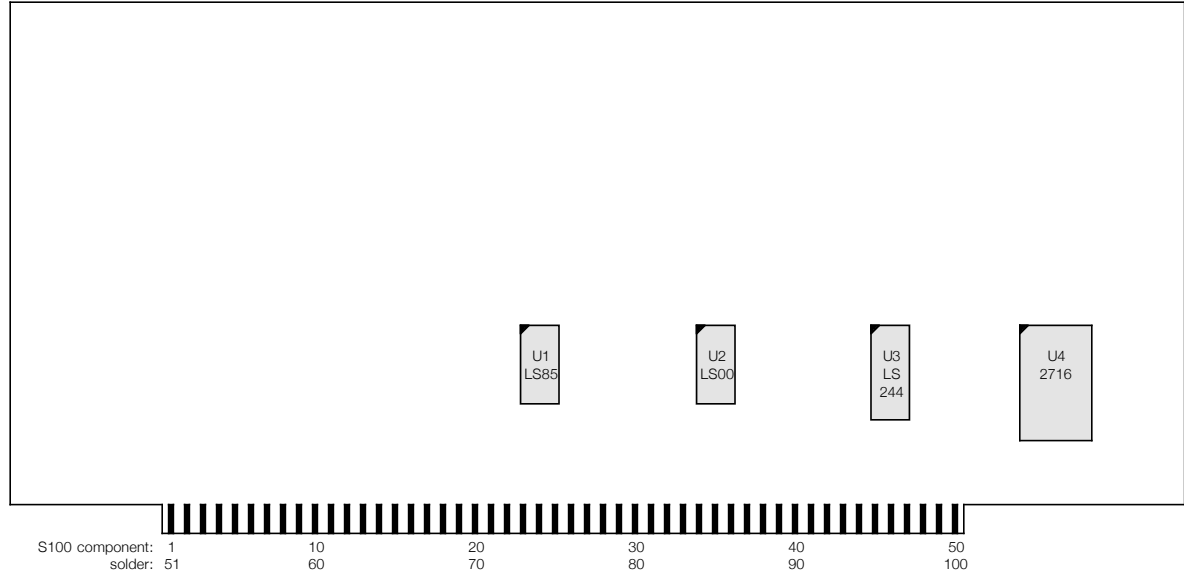


Simple S100 PROM Board

Section: Logic

Page: 2

Rendition: Apr 8, 2024



Ux	Type	a	b	c	d	e	f
1	74LS85	√					
2	74LS00	√	u	u	u		
3	74LS244	√					
4	2716	√					
Total ICs: 4							

Type	Qty	Pins	V+5	GND
74LS00	1	14	14	7
74LS85	1	16	16	8
74LS244	1	20	20	10
2716	1	24	24	12
Total:		4		